

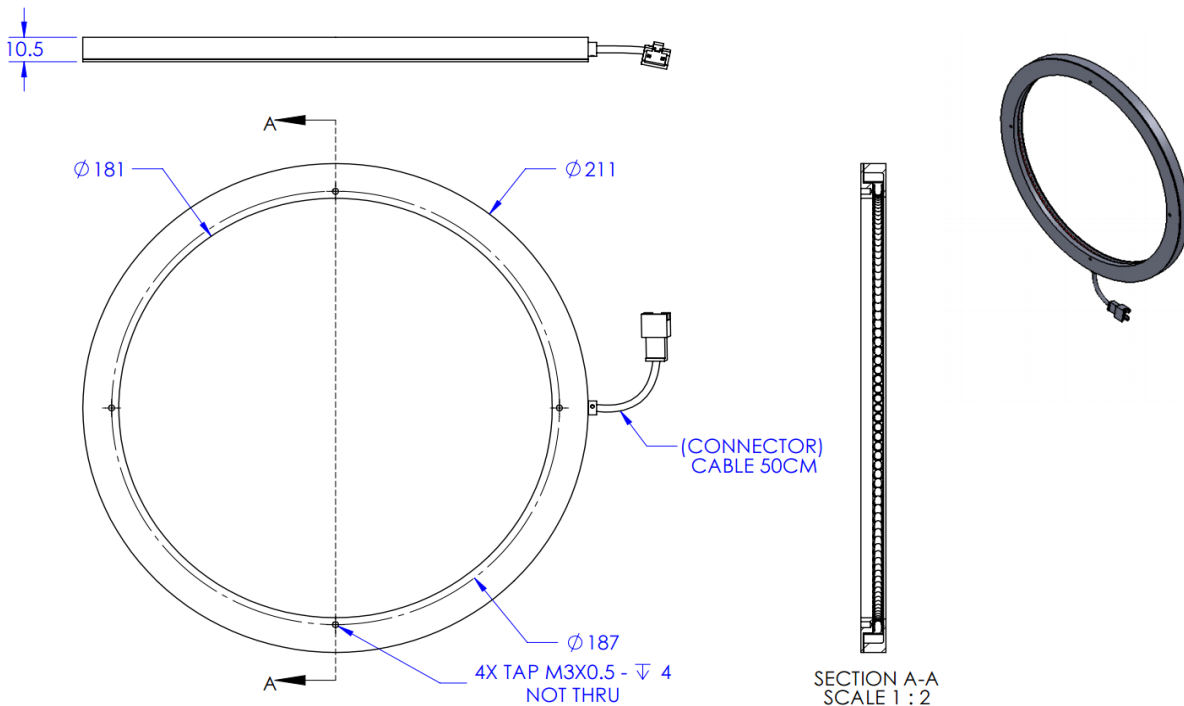


OPTO ENGINEERING

ILLUMINATOR DATA

LTZZ0210-90-1-R-24V

Lighting Dimension



ROHS COMPLIANT CE

Mechanical Information

Casing Material	Aluminium
Storage Temperature Range	0 - 45°C
Storage Humidity Range	20 - 85%
Weight	190g
Length / Outer Diameter	211mm
Width / Inner Diameter	181mm
Thickness / Height	10.5mm



OPTO ENGINEERING

ILLUMINATOR DATA

LTZZ0210-90-1-R-24V

Lighting Information			
Part Number	LTZZ0210-90-1-R-24V		
LED Color	RED		
Wavelength	630nm		
Working Distance	20 mm	25 mm	30 mm
Intensity ($\pm 15\%$)	1640lx	1790lx	1610lx
Illumination (number of row)	1		
Illumination Active Area	Active Length / Outer Dia.	182 mm	
	Active Width / Inner Dia.	181 mm	
Emission angle	0		
Eye Safety Class (IEC62471)	EXEMPT		
Chromaticity Table For White colour only	Nil		

Electrical Information	
Rated Constant Voltage	24V $\pm 2\%$
Rated Constant Current	240mA
Power Consumption	5.76W
Casing temperature, After 60 minutes operation	42.7 °C

Strobe Mode Specification		
*Normal Strobe Voltage	24 V	
*Normal Strobe Current	240mA	
Overdrive Voltage Range	Min: 36V	Max: 48V
Overdrive Current Range	Min: 0.87 A	Max: 1.45 A
Recommended Overdrive Voltage	36V	
**Max. Trigger Pulse Duration	10 msec	
**Max. Duty Cycle	10%	

*Normal strobe means the lighting is operated using the rated power. Overdrive means the power supplied to the lighting exceeded the rated power.

**Overdrive condition must not exceed the max. trigger pulse duration and max. duty cycle.

ILLUMINATOR DATA

LTZZ0210-90-1-R-24V

Connection Information			
Connector Type (Default)	JST SMR-03V		
Cable Length	50 cm		
Pin Configuration 	Pin	Signal	Cable Colour
	1	LED +	Red
	2	N.C	-
	3	LED -	White
			

Additional Information	
Additional Cooling Method	Attached to machine part for better heat dissipation
Intensity Controller Selection	SD, ST, ANG, LC, SDA, SDP series
CE Conformity	YES
RoHS Compliance	YES

Application	
Illumination Type	Direct Illumination
Application Use	Label Inspection, Character Inspection, Code Recognition



OPTO ENGINEERING

ILLUMINATOR DATA

LTZZ0210-90-1-R-24V

Lighting Pattern				
Working Distance	25mm			
Display and Image				
Data Results	Horizontal	Meas.(mm)	Vertical	Meas.(mm)
	90%	55	90%	32
	80%	66	80%	50
	70%	81	70%	66
	60%	101	60%	87
	50%	136	50%	123
	40%	162	40%	153
	30%	176	30%	166
	20%	195	20%	192
	10%	247	10%	245
Max	Meas.(cd/m2)			
	503.162			